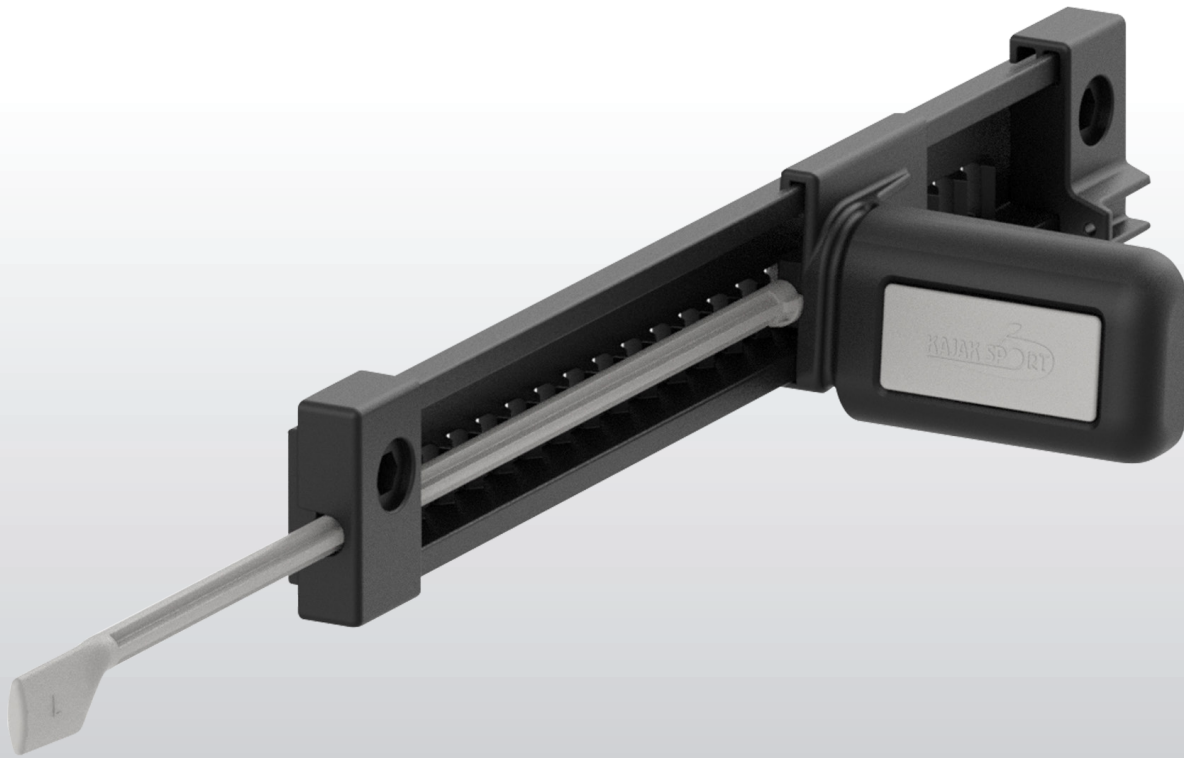


KS FOOTREST 2

LIGHT AND COMFORTABLE FOOTREST SYSTEM

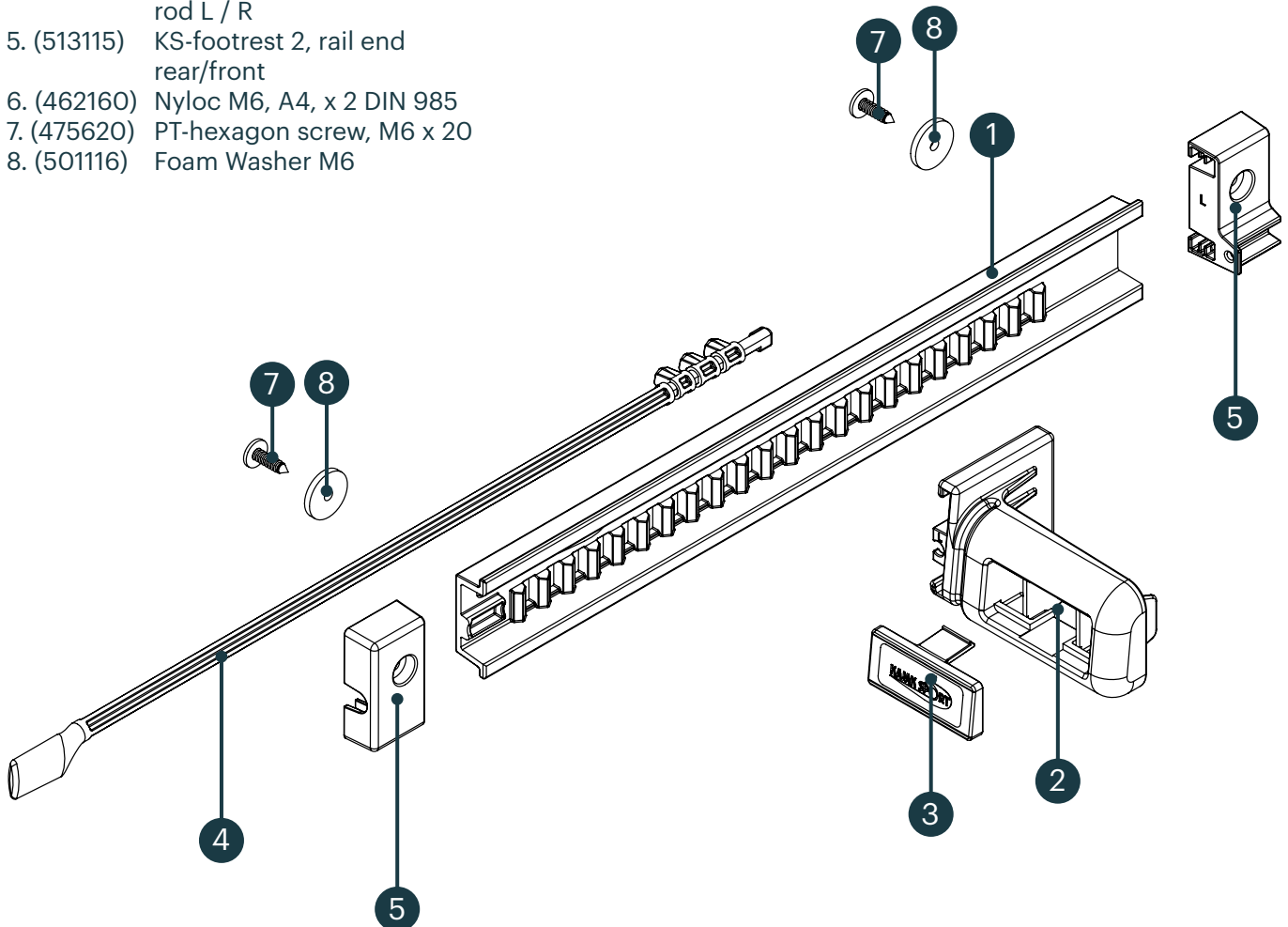


KS FOOTREST SYSTEM 2, PART LIST

Parts

513100 KS Footrest 2

1. (513111) KS-footrest 2, rail L / R
2. (513112) KS-footrest 2, pedal L / R
3. (513113) KS-footrest 2, center plate for pedal
4. (513114) KS-footrest 2, adjusting rod L / R
5. (513115) KS-footrest 2, rail end rear/front
6. (462160) Nyloc M6, A4, x 2 DIN 985
7. (475620) PT-hexagon screw, M6 x 20
8. (501116) Foam Washer M6



ASSEMBLY INSTRUCTIONS

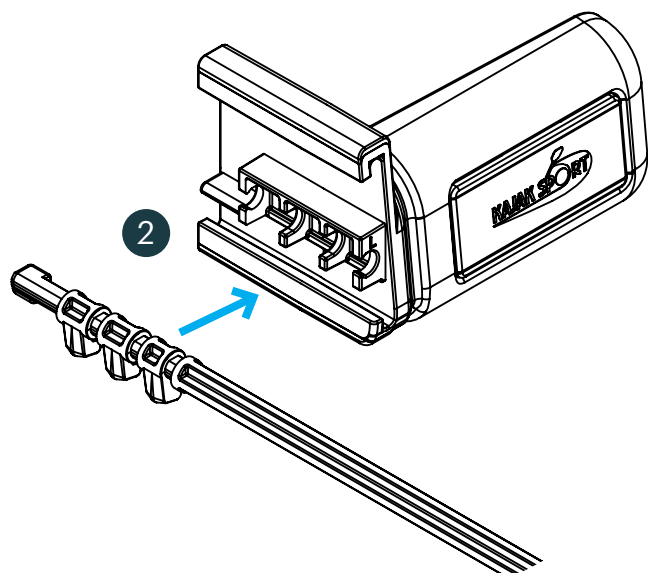
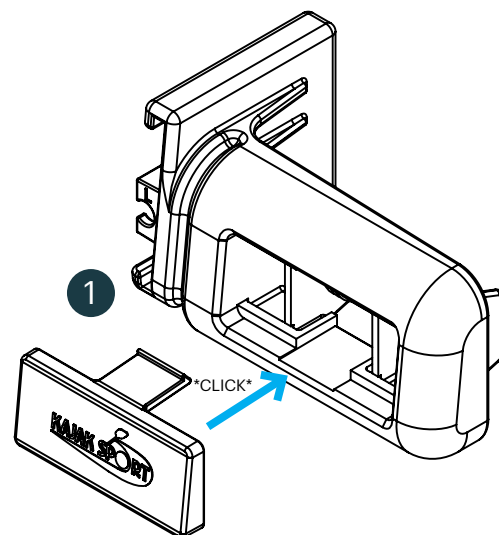
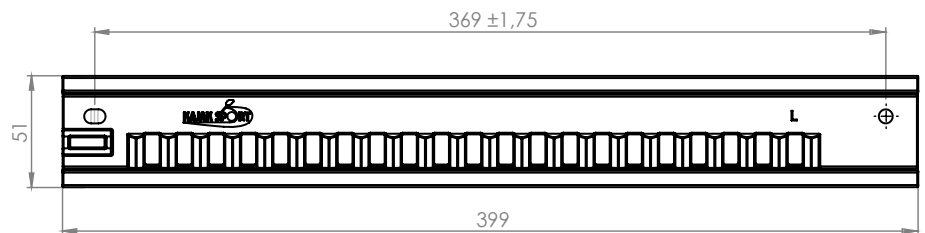
General info of the KS Footrest 2

Kajak Sport footrest mounting distance is the same than our previous footrests have. Same mounting distance is commonly used in most of the footrest systems over the world. It makes replacing of an old or broken footrest easy. Rear mounting hole is oval to generate extra tolerance in the mounting distance.

Footrest parts are L (left) and R (right) handed and marked with L or R letter.

1. Push the center plate in the middle of the footrest pedal to cover the hole. Center plate will make clear locking sound when properly connected.

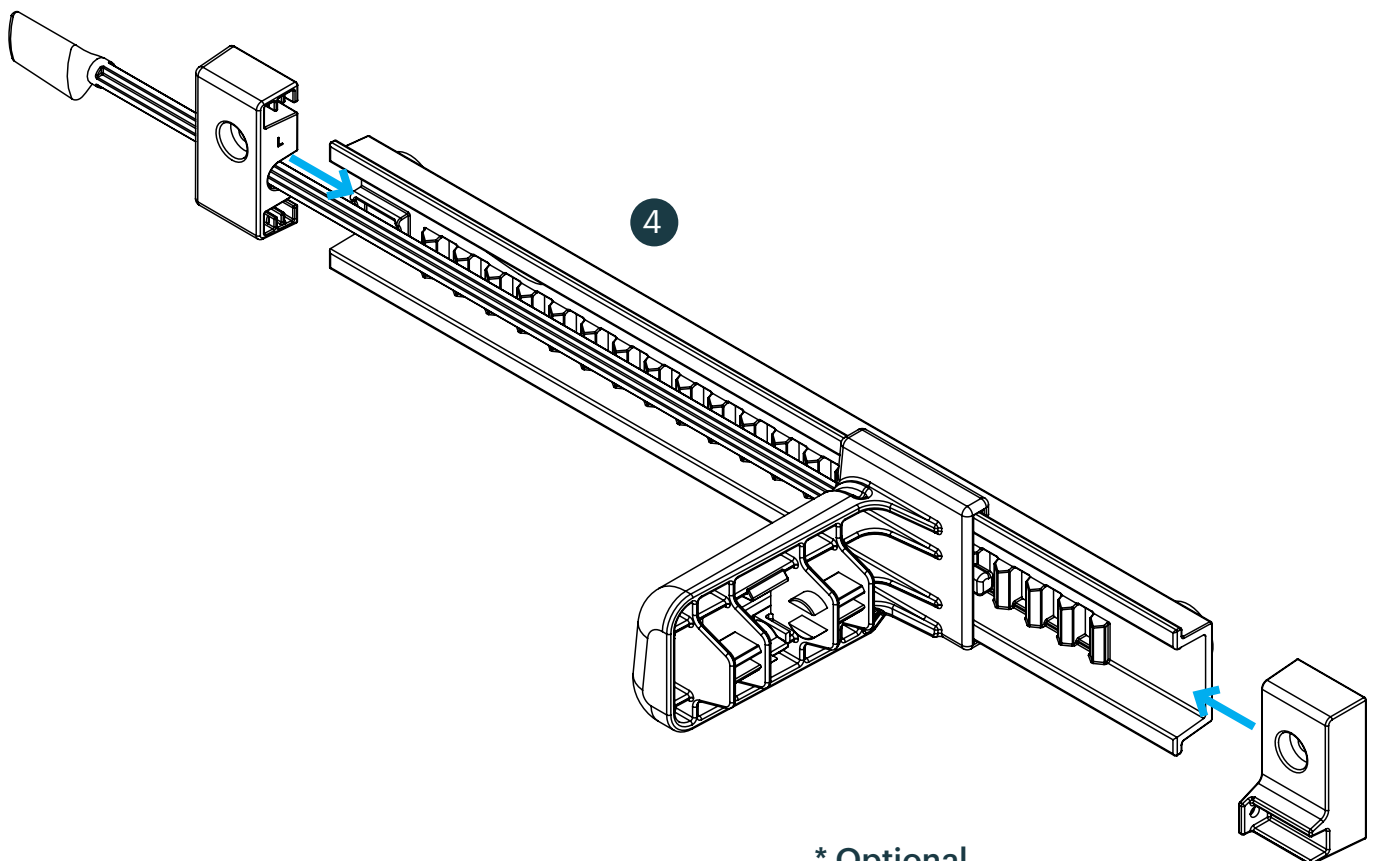
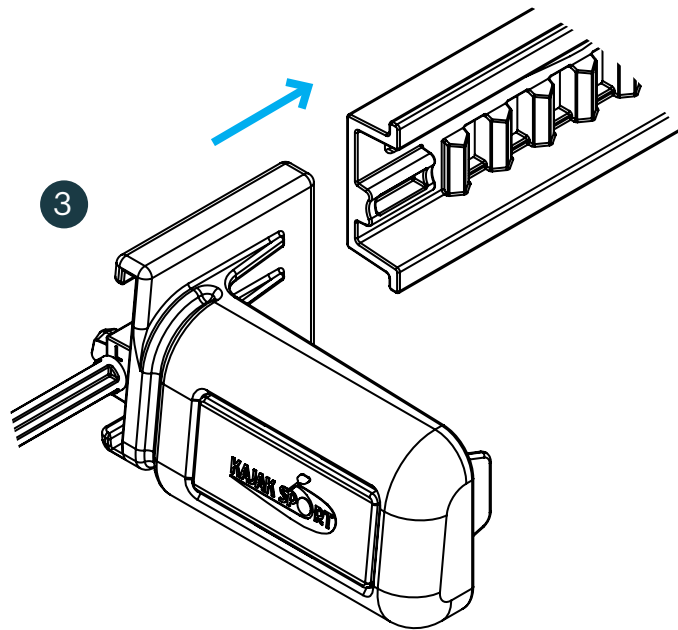
2. Connect the adjustment rod into the footrest pedal.



KS FOOTREST SYSTEM 2 - ASSEMBLY INSTRUCTIONS

3. Slide the footrest pedal in to the rail. Make sure the adjustment rod is in open position.

4. Connect both rail end parts. The one with rope connector will go in front end.



* Optional
Steering pedal package
(514111), including
steering pedal and
spring

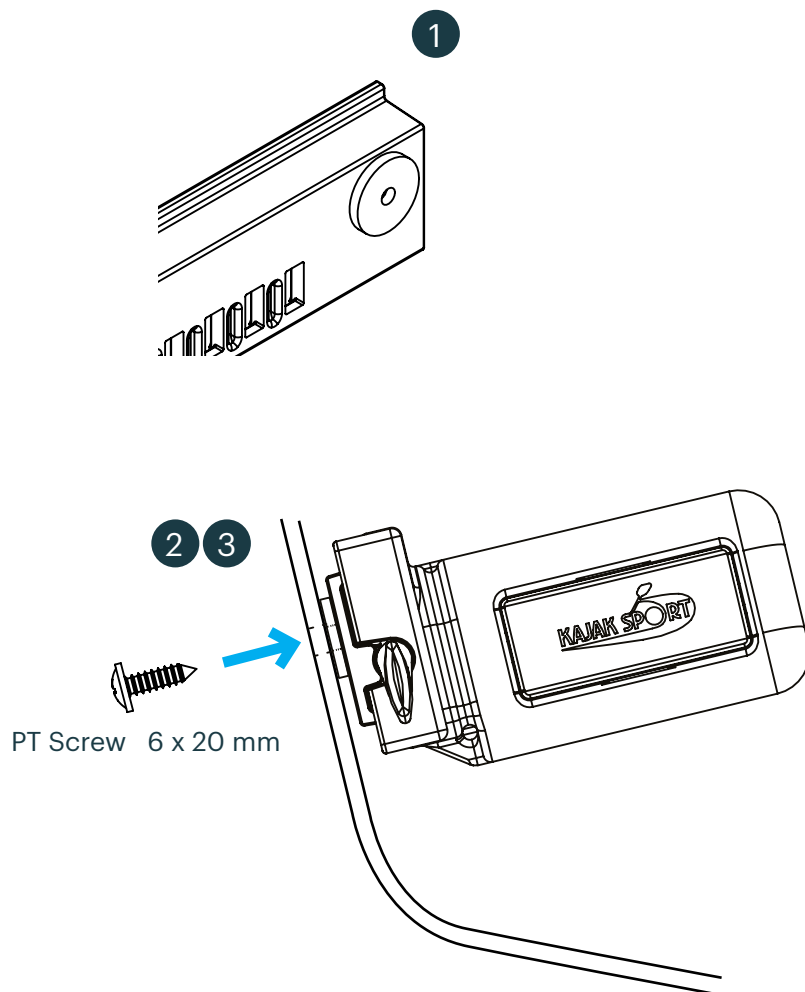
ATTACHING THE FOOTREST INTO THE KAYAK

A. Standard screw attaching through the hull.

1. Add foam washer in the back side of the rail. Foam washer is self-adhesive

2. Drill the holes from outside of the kayak. First drill the other end and use the rail to determinate the second hole in correct position.

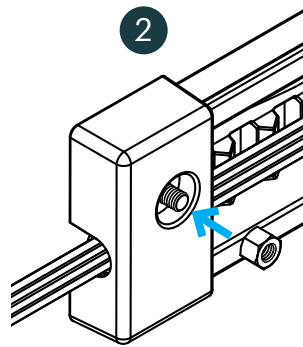
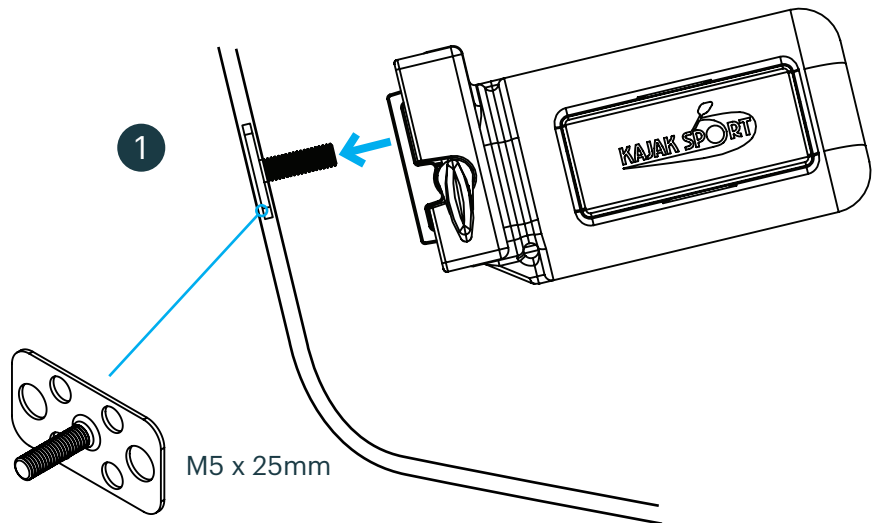
3. Attach the footrest with M6 x 20mm PT screw.



KS FOOTREST SYSTEM 2 - ATTACHING

**B. Optional attachment with
KS-fastener 5/25 (501117)**

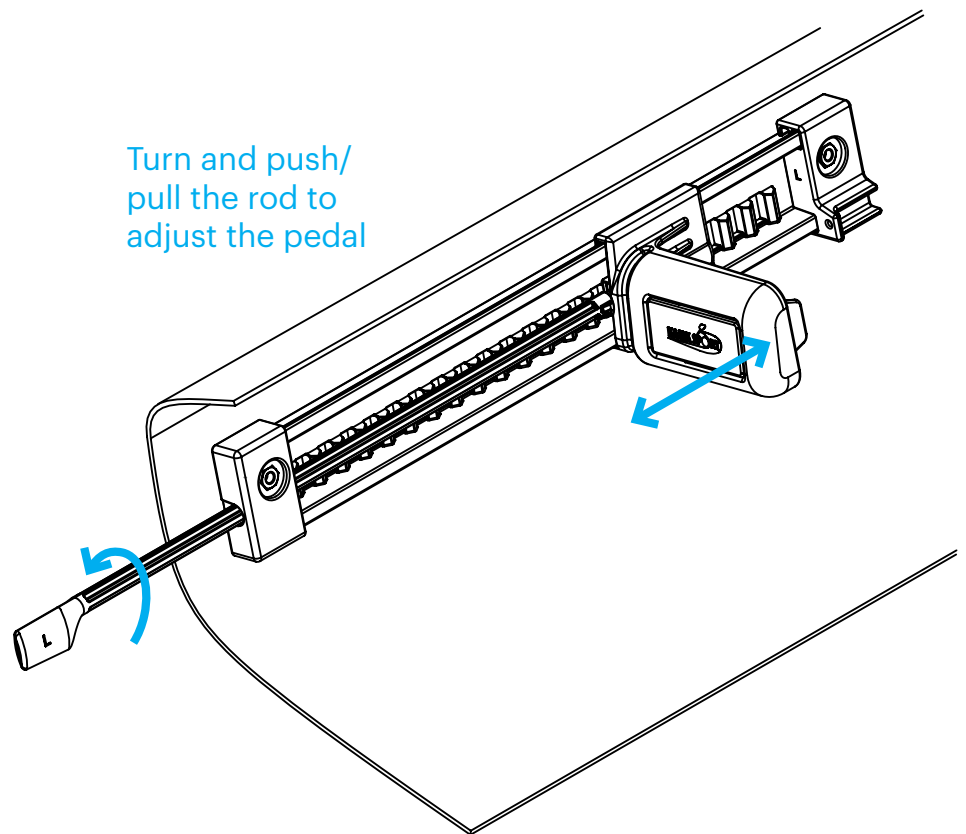
1. Laminate the optional KS-fastener in side into the kayak hull.
2. Tighten the footrest with M5 nut using 8 mm socket.



KS FOOTREST 2 - USAGE

KS Footrest 2 usage

1. Squeeze the steering pedal spring in the center of the footrest pedal. Spring will connect around the round side supports.
2. Connect the steering pedal in to the footrest pedal by pushing the steering pedal hinge clamp inside in to the hinge bracket of the footrest.
3. Spring remains in front of the steering pedal and pushes it backwards to keep steering line tight.
4. Follow the drawings to thread and connect the steering rope.



KS FOOTREST SYSTEM 2 - ATTACHING

C. Replacing an old footrest attached with M5 x 25 mm fastener

i. KS-footrest system 2 can also be attached to an M5 x 25 mm fastener by using Kajak Sport extension nut M5 x 15 mm

